

PROPELLER SHAFT

OUTLINE 8— 2
 SPECIFICATIONS..... 8— 2
TROUBLESHOOTING GUIDE 8— 2
ON-VEHICLE CHECK 8— 2
PROPELLER SHAFT 8— 3
 REMOVAL AND INSTALLATION..... 8— 3
 INSPECTION..... 8— 4

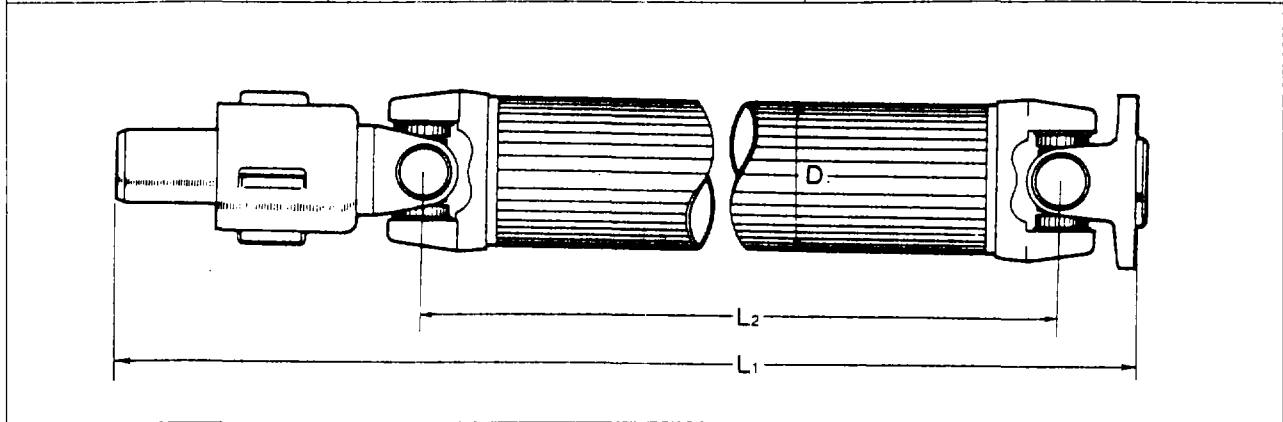
67U08X-001

8 OUTLINE, TROUBLESHOOTING GUIDE

OUTLINE

SPECIFICATIONS

Item	Manual transmission		Automatic transmission		
	Turbo model	Non-turbo model	Turbo model	Non-turbo model	
Length L1	mm (in)	966 (38.03)	967 (38.07)	—	913 (35.94)
Length L2	mm (in)	774 (30.47)	782 (30.79)	—	733 (28.86)
Outer diameter D	mm (in)	75 (2.95)	57 (2.24)	—	57 (2.24)

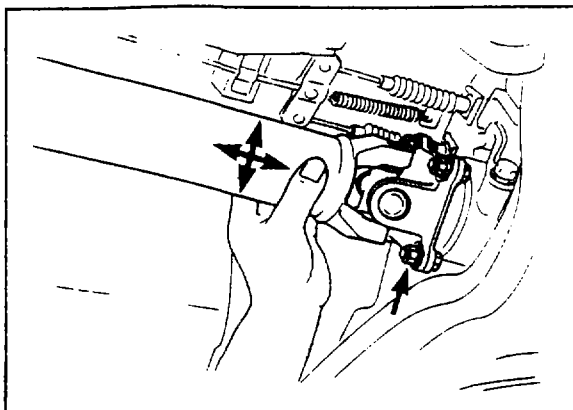


77U08X-101

TROUBLESHOOTING GUIDE

Problem	Possible Cause	Remedy	Page
Runout	Worn universal joint	Replace	8— 4
	Bent propeller shaft	Replace	8— 4
	Worn slip yoke splines	Replace	8— 3
Abnormal noise	Worn or damaged universal joint	Replace	8— 4
	Worn slip yoke splines	Replace	—

67U08X-007



67U08X-008

ON-VEHICLE CHECK

1. Check for backlash by moving the parts as shown in the figure.
2. Check for looseness of bolts and nuts, and tighten if necessary.

Tightening torque:

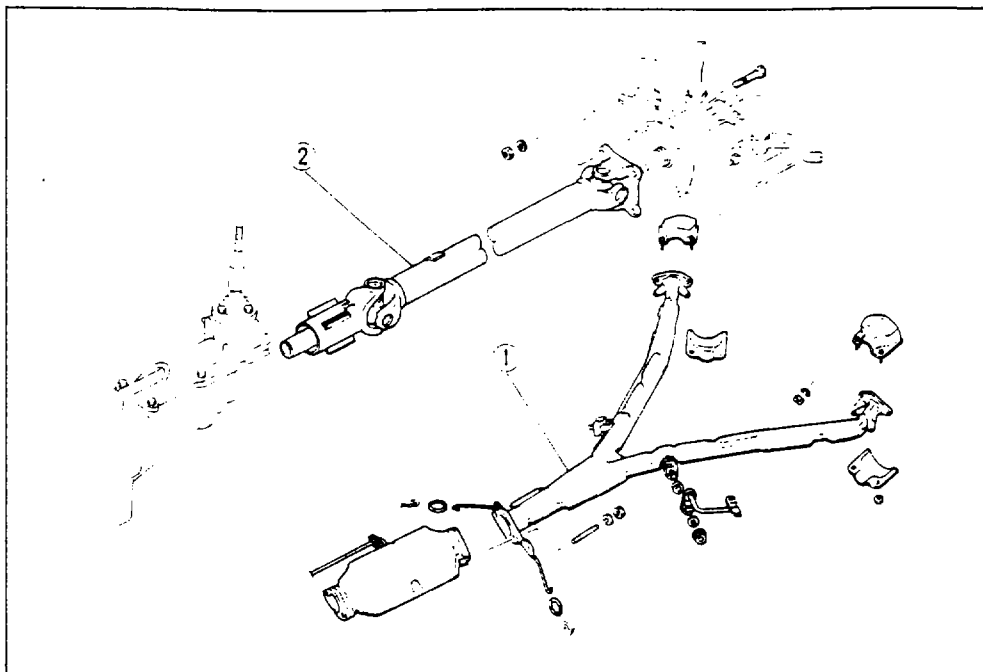
49—59 N·m (5.0—6.0 m·kg, 36—43 ft·lb)

PROPELLER SHAFT

REMOVAL AND INSTALLATION

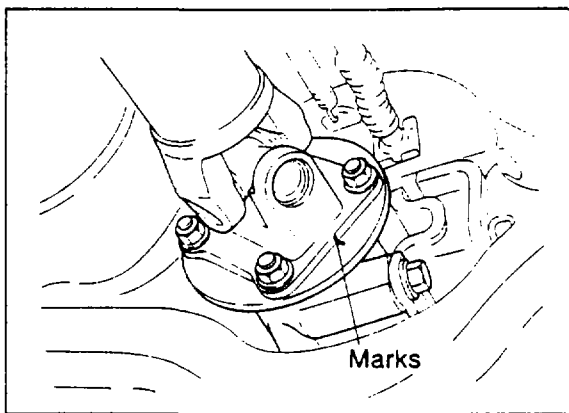
1. Jack up the vehicle and support it on safety stands.
2. Remove in the sequence shown in the figure.
3. Install in the reverse order of removal.

67U08X-002



1. Exhaust pipe
2. Propeller shaft

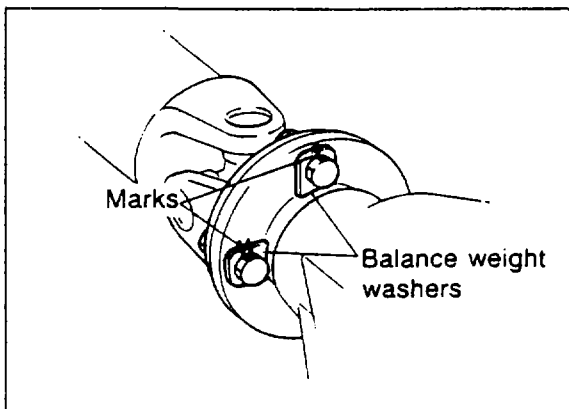
67U08X-003



67U08X-004

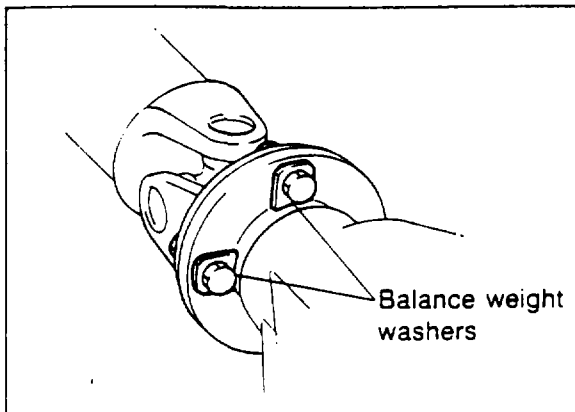
Propeller Shaft

Before removing the propeller shaft, put mating marks on the flanges and balance weight washers. Use the marks for proper reinstallation, to prevent vibration.



67U08X-011

8 PROPELLER SHAFT



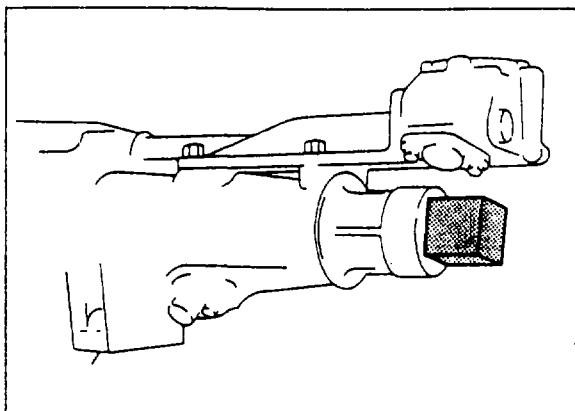
67U08X-012

After replacing the propeller shaft with a new one, drive the vehicle and if noise or vibration occurs from the propeller shaft, adjust with balance weight washers, trying them at various locations on the flange.

Balance weight:

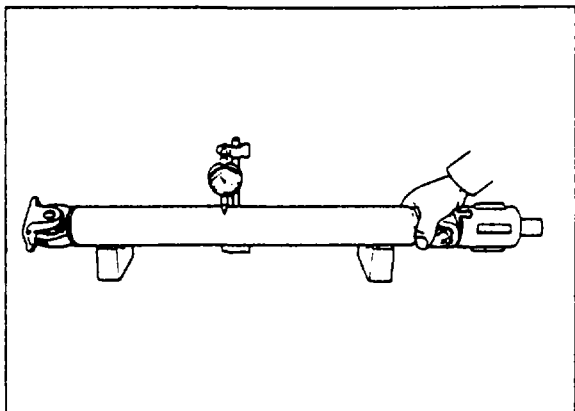
2.2 g (0.08 oz), 3.4 g (0.12 oz)

4.5 g (0.16 oz), 5.6 g (0.20 oz)



67U08X-005

When the propeller shaft is removed from the extension housing, immediately install **main shaft holder** (49 0259 440....M/T, 49 S120 440....A/T) into the extension housing to prevent oil leakage.



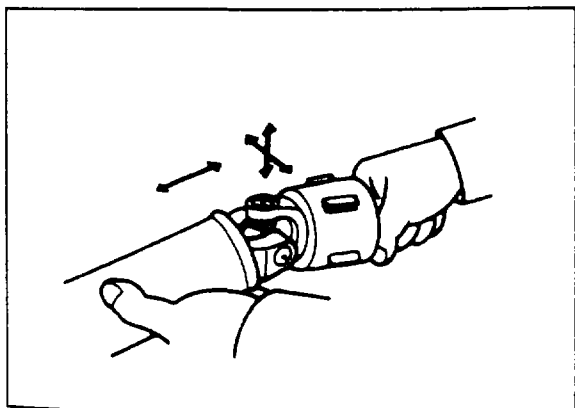
67U08X-009

INSPECTION

Check the following points. If a problem is found replace the propeller shaft assembly.

1. Runout of propeller shaft.

Runout: 0.4 mm (0.016 in) max.



67U08X-010

2. Axial and perpendicular backlash of the universal joint.
3. Condition of universal joint operation.